

Experimental Demonstration of Brokered Orchestration for end-to-end Service Provisioning and Interoperability across Heterogeneous Multi-Operator (Multi-AS) Optical Networks

A. Castro⁽¹⁾, Ll. Gifre⁽²⁾, C. Chen⁽³⁾, J. Yin⁽³⁾, Z. Zhu⁽³⁾, L. Velasco⁽²⁾, S. J. B. Yoo⁽¹⁾

⁽¹⁾ University of California (UC Davis), Davis, USA, albcastro@ucdavis.edu

⁽²⁾ Universitat Politècnica de Catalunya (UPC), Barcelona, Spain

⁽³⁾ University of Science and Technology of China (USTC), Hefei, China

Abstract A broker on top of opaquely-managed optical domains advertising their capabilities is proposed to provision multi-AS connections in multi-operator scenarios. In case of no spectrum continuity, intra-domain spectral defragmentation is performed. Experimental assessment was conducted on a distributed multi-continental infrastructure.

Introduction

Flexgrid elastic optical networking (EON) is a promising technique for future metro/core optical networks. To control EONs, Software-defined Networking (SDN) has been widely studied in recent years, in particular when based on the OpenFlow (OF) protocol for its open interface and flexibility in terms of network control and programming. The IETF has been working on a similar approach and recently standardized the Application-Based Network Operations (ABNO) architecture¹. Previous works on such a software-defined elastic optical networking (SD-EON) focused on single/multi-AS scenarios under the single operator premise². However, multi-AS networking architectures are very relevant in real operational scenarios to enhance network scalability and service reach. Therefore, how to support a multi-AS with multiple operators SD-EON is an important topic and needs to be carefully investigated. Note that each operator advertises partial information regarding the topology and connectivity of its AS.

A broker-based SDN solution was proposed in³, where a broker is introduced on top of all the SDN controllers to coordinate end-to-end resource management and path provisioning. The centralized broker updates the virtual network topology, manages the resource information of inter-AS links and aggregated (abstracted) intra-AS links, and computes end-to-end routing, modulation formats, and spectrum assignment (RMSA)⁴.

Notwithstanding, due to the different dynamicity of each AS, the probability of finding a multi-AS transparent path fulfilling the spectrum continuity constraint might be low. Therefore, per-AS defragmentation can be performed with a global view. In this paper, we propose a mechanism where each AS advertises its internal capabilities, e.g. their ability to implement spectrum defragmentation or any other in-operation planning operation⁵. A planning tool

connected to the broker is used to decide the optimal set of operations to provision end-to-end paths.

Broker-based Multi-Operator Architecture

Let us assume a multi-operator multi-AS flexgrid optical network, where each AS is managed by an SDN/OF controller or an ABNO-based architecture. On top of the ASs, a broker coordinates end-to-end multi-AS provisioning (Fig. 1).

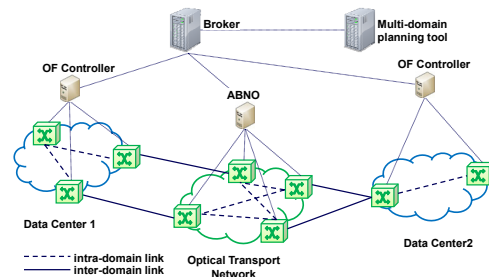


Fig. 1: Multi-AS architecture

Each AS advertises an abstracted intra-AS link information to the broker that depends on both, internal AS policies and the specific agreement with the broker. The broker has a global view of the virtualized network topology, including full information of the inter-AS links and abstracted intra-AS link status gathered from each AS.

In addition, an AS may agree to expose further features to the broker. For example, some ASs may have deployed specific hardware (e.g., wavelength converters/regenerators) and/or implemented optimization algorithms (e.g., spectrum defragmentation algorithms⁴), named as *capabilities*.

To model the underlying data plane, let us assume a graph $G(N, E)$, where N is the set of optical nodes and E is the set of optical links connecting two nodes. Graph G is structured as a set of ASs D . Every AS d consists of three differentiated subset of nodes:

- N_e : subset of edge nodes, end-points of demands;

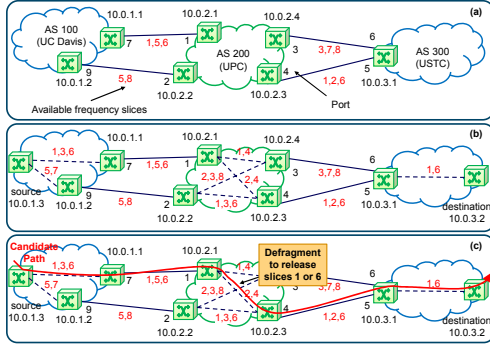


Fig. 2: Example of path computation

- N_i : subset of internal AS nodes;
- N_j : subset of border AS nodes. Then, $N = N_e \cup N_j$ with $N_e \cap N_j = \emptyset$.
- Let S be the set of available frequency slices in each optical link.

Regarding the links, two subsets are considered:

- E_i : subset of inter-AS links, connecting two nodes in N_i belonging to two different ASs;
- E_n : subset of abstracted intra-AS links. Each $e \in E_n$ abstracts connectivity between either a node in N_e and another node in N_j belonging to the request's end ASs, or between two nodes in N_i belonging to transit ASs.

Each link e is represented by a tuple $\langle a_e, z_e, S_e, c_e \rangle$, where $a_e, z_e \in N_e \cup N_j$ are the end nodes, S_e is the subset of available frequency slices, and c_e is the cost.

Since both, broker and the planning tool will be requested to perform complex computations, each AS is assumed to advertise sets N_i and E_i at start time, and update the set S for each link in E_i to follow updates, independently from path computation requests. In addition, each AS advertises its capabilities (e.g., spectrum defragmentation) (Fig. 2a). When a computation is requested, the broker collects intra-AS data (E_n) (Fig. 2b), which are advertised to the planning tool in case that in-operation planning is needed (Fig. 2c).

Fig. 3 illustrates the proposed provisioning workflow, which is divided into three main phases: *i*) the *Domain Advertisement* phase is initiated when the broker first connects to the ASs controllers. The broker collects the inter-AS information, along with the AS's capabilities; *ii*) the *Path Computation* phase is triggered by the arrival of a new inter-AS path computation request to an SDN controller. Next, the SDN controller forwards the request to the broker (step 5). Afterwards, the broker gets the intra-AS connectivity (steps 6 and 7). Then, the broker makes a path computation request to the planning tool, adding in the request message the new topology information just obtained (step

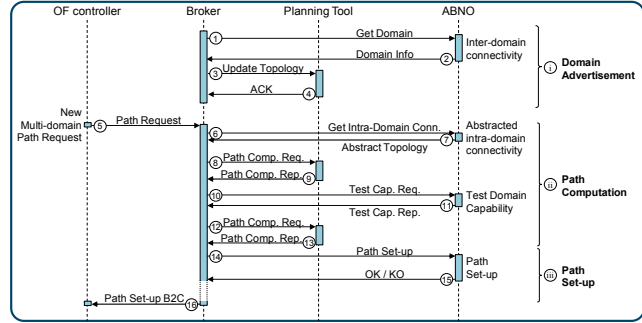


Fig. 3: Proposed workflow

8). If the planning tool finds a feasible solution it responds to the broker the multi-AS path to be set-up. Otherwise, it responds a no-path and proposes a solution using one or more capabilities (step 9). In the latter case, the broker tests if the capabilities are still available (steps 10 and 11). If the capabilities are successfully tested, the broker sends a new path computation request to the planning tool allowing the possibility of the using the just tested capabilities during the computation (step 12). Eventually, the planning tool responds with the multi-AS path to be set-upped and the list of capabilities to be used (step 13); *iii*) in the *Path Set-up* phase, the broker, following the solution proposed by the planning tool, instructs the SDN controllers to signal the intra-AS path and configure the borders routers (steps 14 and 15). Once all the SDN controllers finish its local set-up, the broker informs the SDN controller which made the original request that the inter-AS path is signaled.

Experimental Assessment

The experimental validation was carried out on a distributed field trial set-up connecting premises in UC Davis (Davis, California), USTC (Hefei, China), and UPC (Barcelona, Spain) (Fig. 1). The broker, the OF controllers and agents have been developed in Python and run in a computer cluster under Linux. The UPC's Planning tool for optical networks (PLATON)⁶ and the ABNO has been developed in C++ for Linux.

Regarding the management plane, to enable the broker to orchestrate the experiment, we have developed an HTTP REST API at the broker, which is implemented by the SDN controllers and PLATON. For each API function a specific XML has been devised. These XML files act as input/output parameters for the API functions (see Fig. 5 and Fig. 6).

Fig. 4 shows the exchanged messages from a broker point of view. For the sake of clarity the numbers of the messages in the figures are in correspondence with each other.

